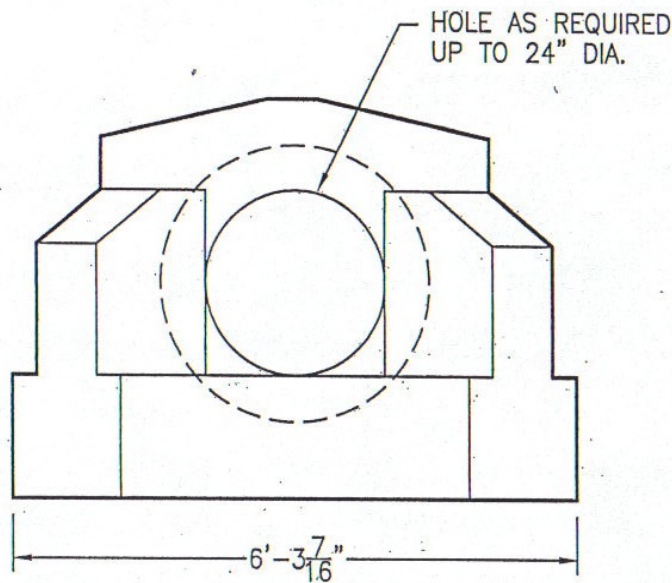


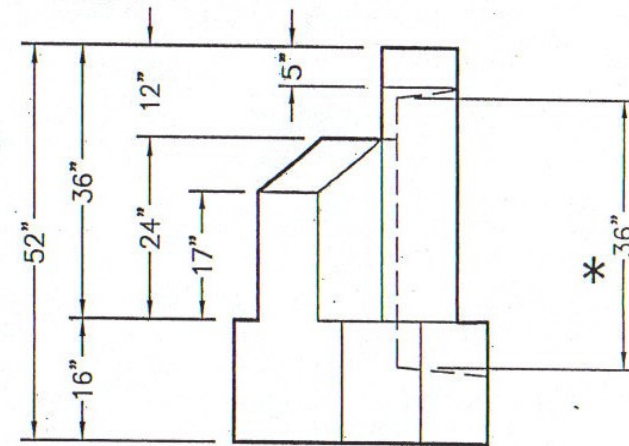
TOP VIEW



FRONT VIEW

NOTES:

- 1) CONCRETE TO BE 4000 .PSI
- 2) REINFORCING GRADE 60 DEFORMED BAR
- 3) FOR 21" DIA. AND 24" DIA. PIPES
- 4) 3/4" CHAMFER ON ALL EXPOSED EDGES



SIDE VIEW

WEIGHT= 3,610 Lbs.

\* 36" DIMENSION IS CENTERED ON THE 24" DIMENSION.

**24" WING WALL**

DRAWN BY: KEN S.	SCALE: NTS	DRAWING NO.:
DATE: 12-13-95	REV: 12-24-01 BK	PA-HW-2

**Culverts, Inc.** P.O. Box 271, Coraopolis, PA 15108  
412-262-3111 \* Fax: 412-262-3444